

NDR154P

H.265, Full HD 1080P at 30 fps, P-Iris 2.7-12mm Motorized Lens, 35 M(114ft) IR Distance, Smart IR+, ICR D/N, Ultra Low Light, SDS Plus, IP66 weatherproof, IK10 Vandal Resistance, Compact and Smart Design



Why DivioTec?

DivioTec's aim is to transcend the capabilities of the human eye and deliver an entirely new field of view. Our integrative skills and our 20 years of industry experience are constantly driving new innovations.

Our simple, easy-to-use interfaces and our rock-solid security hardware are rapidly earning the respect and confidence of our clients.

We also make a point of listening carefully to our customers' needs, applying what we learn to develop outstanding new products and a culture of exceptional service.

At DivioTec, our experience is your protection.

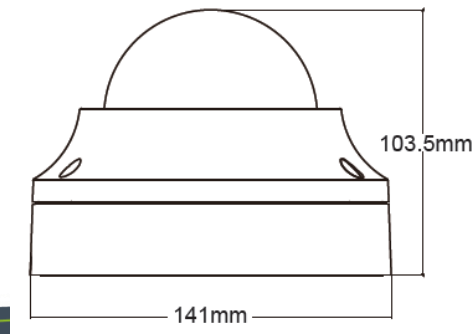
- 1/2.8" 2MP Sony STARVIS CMOS Progressive Sensor
- Full HD 1080P @ 30 fps
- P-Iris 2.7– 12mm, Motorized Lens, F1.6
- Ultra Low Light (0.0009 Lux @ F1.6)
- IR Illuminator: 35M (114ft) IR Distance, Smart IR+
- Smart Filtering Function: Removable IR-cut Filter for Day and Night
- Multi Shutter WDR 140dB
- H.265/H.264/M-JPEG Video Compression
- Intelligent VA Functions: Tampering Alarm, Object Counting, Intrusion Detection
- Advanced Motion Detection (5 areas)
- SDS (Smart Dynamic Streaming) Plus: Smart ROI, FPS, GOP
- Support micro SD Card Slot, Alarm-in/-out / Audio-in/-out
- IP66 Weatherproof, IK10 Vandal Resistance
- Operating Temperature from -20°C to 55°C/-4°F to 131°F
- ONVIF Profile S, G, Q

Sensor	
Image Sensor	1/2.8" 2MP Sony STARVIS CMOS Progressive Sensor
Effective Pixels	1920(H) x 1080(V)
Minimum Illumination	Color: 0.01 Lux; B/W: 0.0009 Lux @ F1.6 (0 Lux IR ON)
Lens	
Lens Type	Motorized
Focal Length	2.7– 12mm, F1.6
View Angle	32°-108° (H)/ 18°-57° (V)/ 37°-130° (D)
Angle Adjustment	Pan: 0° ~ 355° / Tilt: 0° ~ 60° / Rotate: +100° ~ -100°
Iris Control	P-Iris
IR	
IR illuminator	Up to 35M (114ft), 850nm Wavelength
IR Control	Smart IR+
Image Setting	
Shutter Speed	Auto/Manual (1/7~1/20000)
WDR	Multi Shutter WDR 140 dB ; Auto / Manual Adjustable 10 Level
Day/Night	Auto/Day/Night /Schedule
ICR Day/ Night	Auto/ Force Day/ Force Night
Gain Control	Off /Low /Medium /High /User Define 1-512
Auto Exposure	Auto /50Hz /60Hz /Lock 0-255 Level
White Balance	Auto/off
Backlight Compensation	Yes
Orientation	Mirror/ Flip / Corridor
Privacy Mask	5 Areas
OSD	Date/Time, Camera Name, Customer Text
Defog	Off /Low /Medium /High
Noise Reduction	Off/1-11 Level/Auto
Picture Adjustment	Brightness, Contrast, Saturation, Sharpness, Hue Adjust
ROI (Region Of Interest)	5 Zones , 3 Level: Low /Medium /High
Image Profile Setting	2 Profiles: Day &Night : Auto Switch /Force Day/Force Night
Video	
Video Compression	H.265 / H.264 / M-JPEG
Video Streaming	Triple streaming
Video Resolution/Frame Rate	Full HD 1080P(1920 X 1080),HD 720P(1280 x 720) / D1-PAL (720x576)@30FPS/ D1-NTSC (720x480)@30FPS/ VGA (640x480)/640x 360/QVGA (320x240) @30FPS
SDS(Smart Dynamic Streaming)	Smart ROI, FPS, GOP

Specifications

Bit Rate	64K-8000K
Frame Rate	30fps max.
Event Management	
Alarm Detection	On/ Off/ Schedule
Motion Detection	5 Areas, Sensitivity level 1-100
Tampering Alarm	On /Off / Schedule , Sensitivity Low/Mid/High
Object& Intrusion Detection	(Line) Object Counting , Line Intrusion , Zone Object-Counting, Zone Intrusion
Event Trigger	Alarm Detection, Motion Detection, Tampering Alarm, Object Detection, Intrusion Detection
Event Actions	File upload via FTP, HTTP, Network Storage and email Notification via email, HTTP, TCP Video recording to SD card, FTP Alarm output port
Network	
Interface	10/100 Mbps Ethernet, RJ-45
Protocol	IEEE802.1x, DDNS, DHCP, Firewall, FTP, GB28181, HTTP, HTTPS, IPv4, IPv6, LDAP, NTP, RTP, RTSP ,RTMP, SSL,SSH, SNMP, SMTP,TCP/IP, UDP, UPnP, Zero Configure
User	12 user account/ 2 level: admins/views
Connectivity	ONVIF Profile S, G, Q
Browser	Internet Explorer, Google Chrome, Mozilla Firefox
General	
Operating Temperature	-20°C to 55°C/-4 ° F to 131° F
Humidity	10% ~ 90%, No Condensation
Weatherproof	IP66
Vandal proof	IK10
Dimension	141 x 103.5 mm (5.5 x 4.1 in)
Weight	950 g
I/O	Alarm(terminal block line-in*1/-out*1) / Audio (terminal block line-in*1/-out*1)
Power	PoE (IEEE 802.3af); 7W max.
Micro SD	Micro SDHC support up to 64GB
Reset button	Yes
Certification	CE/FCC Class A
Application	SDK available for application development
Ordering Information	NDR154P-2712M with Alarm in/-out NDR154PA-2712M with Audio-in/-out

Dimension Drawing



2018-11-16 released
Specifications are subject to change without notice.
Copyright © DivioTec Inc. 2018.
All Rights Reserved