

TDR951

H.265 Full HD 1080P at 30 fps,
 Up to 35 M(114ft) IR Distance,
 2.7-12mm Motorized Lens,
 Speed of Vehicles 0-120km/h (0-74 mile/h),
 IK10 Vandal Resistance, IP66 weatherproof,
 License Plate Capture Network Camera



- SmartCatch Technology ensures excellent 24/7 performance while producing clear, consistent, and accurate license plate images
- Advanced ambient compensation eliminates headlight glare and minimizes exposed plates for improved LPR/ ANPR accuracy
- Convenient image adjustment allows configuration for regional plate characteristics
- With LPR mode, the camera is able to isolate high-contrast license plate numbers from the moving vehicles to increase recognition accuracy. By switching to
- The camera is specially designed for combating extreme weather conditions.

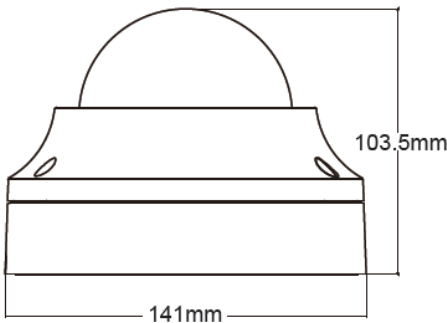
- SmartCatch II™ SoC LPR Mode
- Vehicle speed 0-120 km/h or 0-75 mile/h
- 1/2.8" 2MP Sony STARVIS CMOS Progressive Sensor
- Full HD 1080P @ 30 fps
- P-Iris 2.7– 12mm, Motorized Lens, F1.6
- Ultra Low Light (0.0009 Lux @ F1.6)
- IR Illuminator: 35M (114 ft) IR Distance, Smart IR+
- Smart Filtering Function: Removable IR-cut Filter for Day and Night
- Extreme Wide Dynamic Range (WDR) with Multi Shutters (140dB)
- H.265/H.264/M-JPEG Video Compression
- Intelligent VA Functions: Tampering Alarm, Object Counting, Intrusion Detection
- Advanced Motion Detection (5 areas)
- SDS (Smart Dynamic Streaming) Plus: Smart ROI, FPS, GOP
- Support micro SD Card Slot, Alarm-in/-out and Audio-in/-out
- IK10 Vandal Resistant
- IP66 Weatherproof
- Operating Temperature from -20°C to 55°C/-4°F to 131°F
- ONVIF Profile S, G, Q

Sensor	
Image Sensor	1/2.8" 2MP Sony STARVIS CMOS Progressive Sensor
Effective Pixels	1920(H) x 1080(V)
Minimum Illumination	Color: 0.01 Lux; B/W: 0.0009 Lux @ F1.6
LPR	
License Plate	Reflective
License Plate Capture Range	5~10M (16 ~32ft)
Speed of the Vehicle	0~120km/h or 0~75 mile/h *The best testing result is under sufficient lighting condition
SmartCatch™ SoC	LPR mode <ul style="list-style-type: none"> - High contrast image - Support reflective car plate - IR LED/ Car Speed adjustable
Lens	
Lens Type	Motorized Lens
Focal Length	2.7– 12mm, F1.6
Field of View	32°-108° (H)/ 18°-57° (V)/ 37°-130° (D)
Iris	P-Iris
Built-in IR Illuminator	
Illumination Distance	Up to 35M (141ft), 850nm Wavelength
IR Control	Smart IR+
Image Settings	
Optical Zoom	Zoom Control: 1-200 level, Focus Control (Slider Control): Auto Focus, Micro Adjustment
Image Adjustment	Brightness (Value: 0-100), Contrast (Value: 0-100), Saturation (Value: 0-100), Sharpness(Value: 0-255), Hue Adjustment (Value: 0-100)
Digital Image Stabilization (DIS)	Yes
Orientation	Mirror(Flip left-to-right/ Flip top-to-bottom)/ Corridor
ROI (Region of Interest)	Stream 1/ Stream 2; 5 Zones , Low / Medium /High
Privacy Mask	5 Masks
OSD	Text Position: Top Left/ Top Right/ Bottom Left/ Bottom Right Text Color: Transparent/ Translucent; Black/ White/ Green/ Yellow Text Content: Date/Time, Camera Name, Camera Name+ Date/Time, Custom Text
Exposure	Auto/ Anti-Flicker 50Hz/ Anti-Flicker 60Hz/ Locked, Value Adjustment Range 0 - 255
Iris Control	10%-100%
Shutter Speed	1/7-1/20000 sec.
Gain Control	OFF/ Low/ Medium/ High/ User Define(Value Adjustment Range 1-512)
BLC	Disable / Enable
Wide Dynamic Range	Multi shutter WDR 140dB; Off/ Auto/ Level 1-10
AWB (Auto White Balance)	Auto/ OFF (RG Gain 0.00-10.00, BG Gain 0.00-10.00)
Defog	Advanced/Overview Mode: Low/ Medium/ High ; LPR Mode: Value Adjustment Range 0-255
Noise Reduction(Noise Filter)	On/Off (Level 1 - 11)

Day/Night	Auto/ Forced Day/ Force Night/ Schedule
Image Profile Control	Force Day/ Force Night/ Auto(Follow Day Night Control)
ICR (IR Cut) Control	Force Day/ Force Night/ Auto(Follow Day Night Control)
IR LED Control	Auto/ Forced Day/ Force Night/ Schedule
Image Profile Settings	10 Profiles
External Lighting Control	On/ OFF
LPR Mode Image Setting	
Max Car Speed (km/h)	0-120km
Max Sens Up Gain	0-512 level
External Lighting Control	ON/ OFF
Defog	0-255 level
IR LED Intensity	0-100 level
Video	
Video Streaming	Triple Streaming
Video Compression	H.265/ H.264/ M-JPGE
Video Resolution/Frame Rate	Full HD 1080P (1920 x 1080) @ 30fps, 720P (1280 x 720), VGA (640 x 480) @30fps, 640x360@ 30fps, QVGA (320 x 240) @ 30 fps
Video Quality	H.265 / H.264: CBR/ CVBR ; MJPEG: Low/ Medium/ High
Bit Rate	64-8000 kbit/s
Frame Rate	30fps max
GOP Length	1-120 level
Smart Streaming	Smart ROI, FPS, GOP
Audio	
Audio Streaming	support Full-Duplex; Volume: Low/ Mid/ High
Audio Compression	G.711 8KHZ/ 16bits; U-Law/ A-Law
Event Triggers & Actions	
Alarm Detection	On/ Off/ Schedule
Motion Detection	On/ Off/ Schedule, 5 Zones, Sensitivity: range 1-100
Tampering Alarm	On/ Off/ Schedule, Sensitivity: Low/ Medium/ High
Object/ Intrusion Detection	On/ Off/ Schedule (Line) Object-Counting (One way/ Two way) / Line Intrusion (One way/ Two way) / Zone Object-Counting (Inside/ Outside) / Zone Intrusion (Inside / Outside)
Event Trigger	Alarm Detection, Motion Detection, Tampering Alarm, Object Detection, Intrusion Detection
Event Actions	Save Video/Snapshot to SD card (5 seconds pre-recording, 100 seconds post-recording, AVI & JPEG format) File upload stream to FTP Server, HTTP Network Shortage E-mail notification via SMTP Alarm output

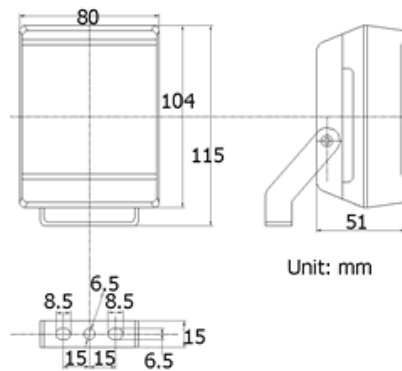
Network	
Interface	10/100/1000 Mbps Ethernet, RJ-45
Protocol	TCP/IP, UDP, RTP, RTSP, RTMP, FTP, SNMP, SMTP, DHCP, DNS, DDNS, NTP, UPnP, ONVIF, IPv4/v6, HTTP, HTTPS, SSL,SSH, IEEE802.1x, Firewall, LDAP, GB28181
Security	HTTP encryption/Multi-level user management (15 users)/IP address filtering
Connectivity	ONVIF Profile
DDNS Settings	Support DynDNS/NO-IP/Two-DNS server
Multicast Function	Yes
Browser	Internet Explorer, Chrome, Firefox, Safari
General	
I/O	Alarm(terminal block line-in*1/-out*1) and Audio (terminal block line-in*1/-out*1)
Weatherproof	IP66
Vandal Resistant	IK10
Operating Temperature	-20°C to 55°C/-4°F to 131°F
Humidity	10% ~ 90%, No Condensation
Power Source	PoE (IEEE 802.3af)
Power Consumption	7W max.
Dimension	141 x 103.5 mm (5.5 x 4.1 in)
Weight	950 g
Application	SDK available for application development
Micro SD	Micro SDHC support up to 64GB
Reset button	Yes
Certification	CE/FCC Class A
Ordering Information	TDR951

Dimension Drawing



External Illuminator	AIR080
Illumination Distance	80M (262ft)
LED Type	6 pieces high power IR LEDs
Angle	30°
Wavelength	850nm (IR LEDs)
Day & Night Switch	Auto by camera photocell sensitivity(10-20 lux) through digital I/O
Voltage	PoE IEEE 802.3af
Power Consumption	12W
Housing	Aluminum die-casting housing
Panel	High light transmittance toughened glass
Mounting	Wall mounting "U" bracket
Dimension	80*155*51 mm
Weight	0.53 kg
Operation Temperature	-40°C ~60°C(-40°F~140°F)
Weather/ Vandal Proof	IP66, IK10
Ordering Information	AIR080-POE: 80M(262ft) External IR LEDs Illuminator <u>TDR951-080</u> TDR951 LPR/ANPR IR LEDs camera with 80M(262ft) External IR LEDs Illuminator <u>TDR951-080W</u> TDR951 LPR/ANPR IR LEDs camera with 80M(262ft) External White LEDs Illuminator

Dimension Drawing



2018-11-15 released
 Specifications are subject to change without notice.
 Copyright © DivioTec Inc. 2018.
 All Rights Reserved