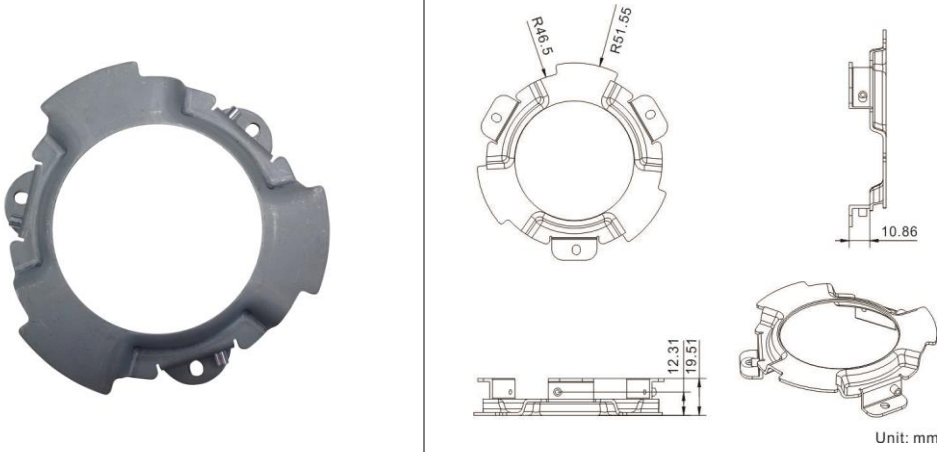


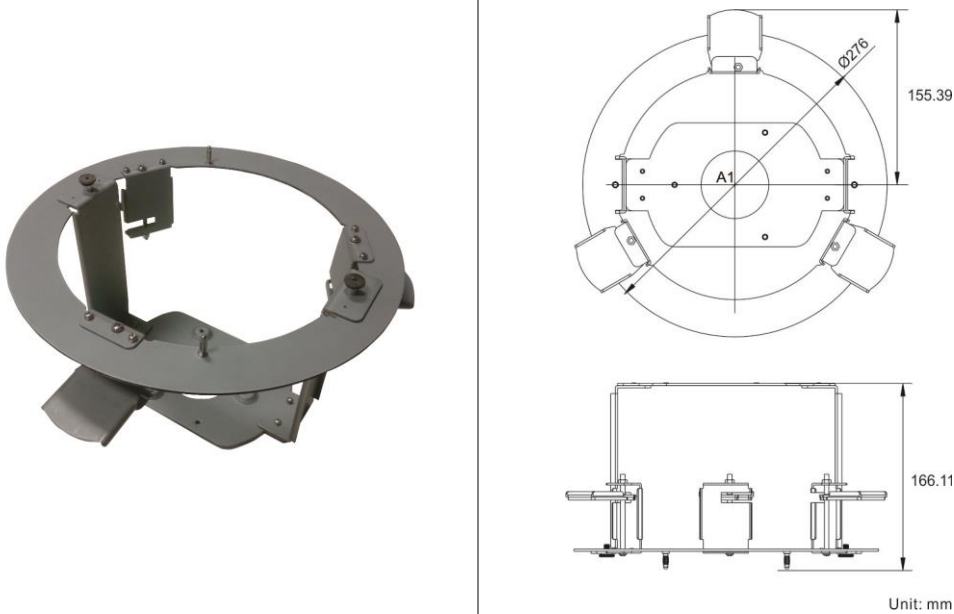
Speed Dome Mounting Accessories

Hard Ceiling Mount (Standard Equipment)
For Hard Ceiling Installation.
Height: 19.51 mm (0.77 inches); Diameter of the bracket: 103.1 mm (4.06 inches);
Weight: 65.0 g (0.14 lbs).



Unit: mm

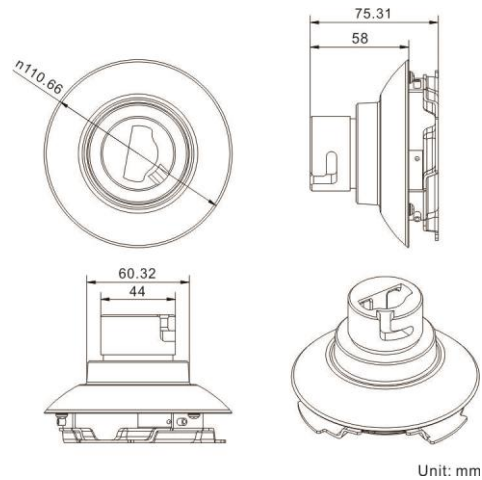
In-Ceiling (T-Bar) Mount
For In-Ceiling Installation.
Height: 166.11 mm (6.54 inches); Diameter: 276.0 mm (10.9 inches);
Weight: 1.1 kg (2.4 lbs).



Unit: mm

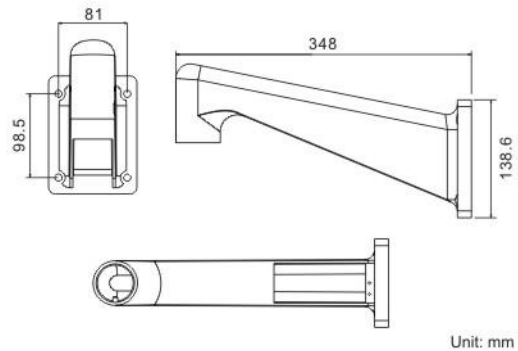
Indoor Mounting Kit (IMK)

Height (with Hard Ceiling Mount): 75.31 mm (2.96 inches); Height: 58.0 mm (2.3 inches);
 Total Width: 110.66 mm (4.36 inches); Weight: 260.0 g (0.57 lbs).



Standard Pendent Mount

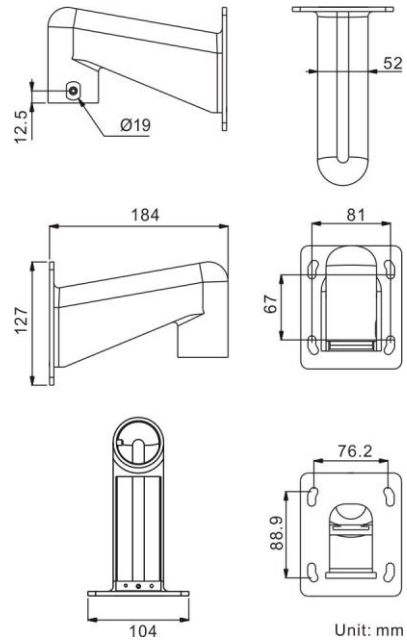
White; 348.0 x 104.0 x 138.6 mm (13.7 x 4.1 x 5.5 inches); 1.5 kg (3.3 lbs);
 Diameter: 45.0 mm (1.8 inches).
 Supplied with M8x12 screw x 1, spring washer-8 x 1, pendent tube washer x 1,
 rubber washer-8 x 1 and sponge x 2.



Compact Pendant Mount

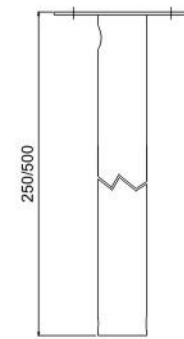
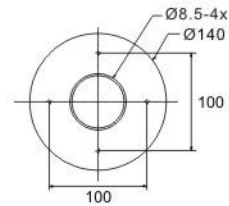
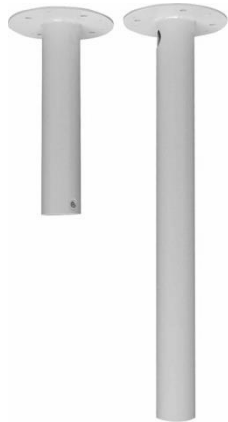
184.0 x 104.0 x 127.0 mm (7.2 x 4.1 x 5.0 inches); 0.6 kg (1.32 lbs).

Supplied with rubber washer-8 x 1, pendant tube washer x 1, spring washer-8 x 1 and M8x12 screw x 1.



Straight Tube

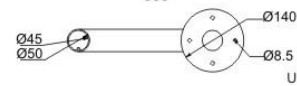
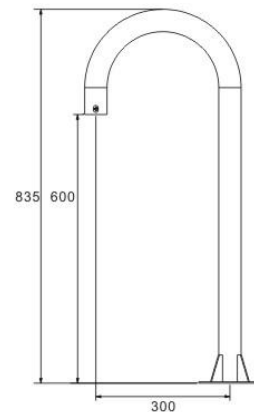
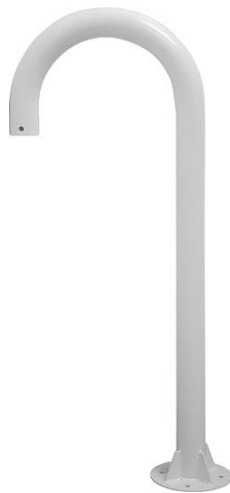
Iron; Height: 250.0 / 500.0 mm (9.8 / 19.7 inches);
 Diameter: 50.0 mm (2.0 inches) 1.0 kg (2.2 lbs) / 1.8 kg (4.0 lbs).
 Supplied with M8x12 screw x 1, spring washer-8 x 1, pendent tube washer x 1,
 rubber washer-8 x 1 and waterproof rubber x 1.



Unit: mm

Swan Tube

For mounting with Swan Tube.
 White; Iron, Dimension: 835.0 x 300.0 mm (32.9 x 11.8 inches);
 Diameter: 45.0 mm (1.8 inches); Weight: 3.8 kg (8.4 lbs).
 Supplied with pendent tube washer x 1, rubber washer-8 x 1, waterproof rubber x 1,
 spring washer-8 x 1 and M8x12 screw x 1.



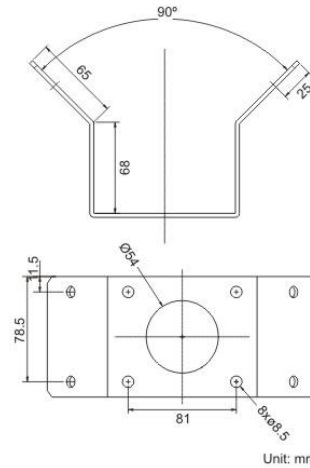
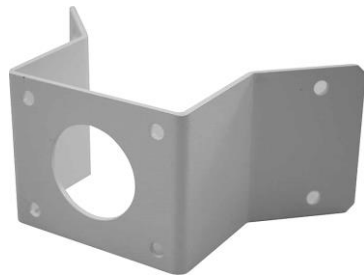
Unit: mm

Corner Plate Mini

For mounting with Compact Pendant Mount.

270.0 (L) x 166.0 (W) x 68.0 (D) mm (10.6 x 6.5 x 2.7 inches).

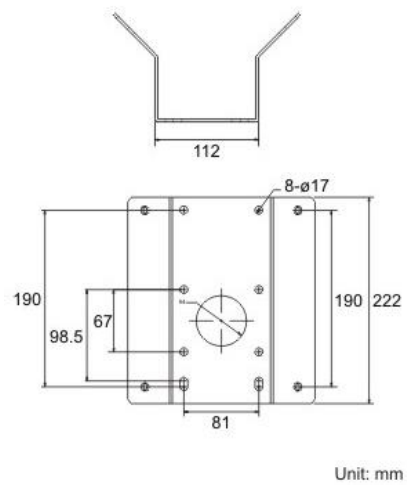
Supplied with washer-8 x 4, spring washer-8 x 4, M8x16 screw x 4 and M8 nut x 4.



Corner Standard Mounting Plate

222.0 (L) x 204.0 (W) x 117.0 (D) mm (8.7 x 8.0 x 4.6 inches); 2.0 kg (4.4 lbs).

Supplied with washer-8 x 4, spring washer-8 x 4, M8x16 screw x 4, and M8 nut x 4.

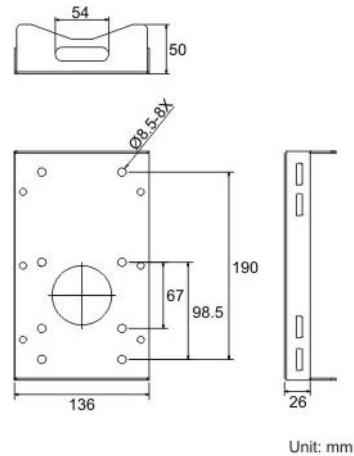


Pole Thin Direct Mounting

232.0 (L) x 136.0 (W) x 50.0 (D) mm (9.1 x 5.4 x 2.0 inches);

Diameter: 112.0 ~ 130.0 mm (4.4 ~ 5.1 inches); Weight: 0.7 kg (1.5 lbs).

Supplied with stainless steel straps x 4, Mx16 screw x 4, washer x 4 and spring washer-8 x 4.

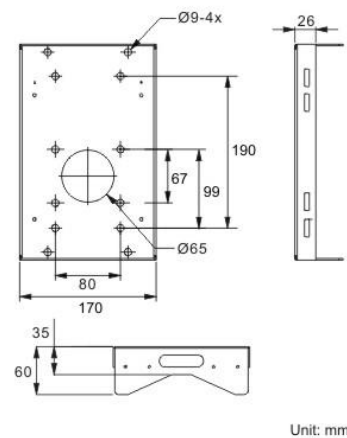


Pole Wide Direct Mounting

270.0 (L) x 170.0 (W) x 60.0 (D) mm (10.6 x 6.7 x 2.4 inches);

Diameter: 112.0 ~ 140.0 mm (4.4 ~ 5.5 inches); Weight: 1.0 kg (2.2 lbs).

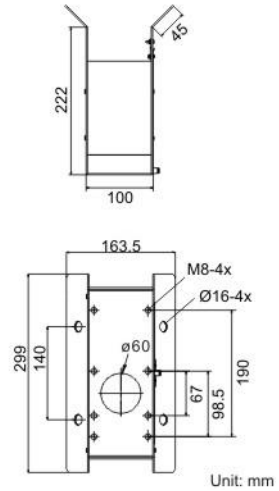
Supplied with M8x16 screw x 4, washer x 4, stainless steel straps x 4 and spring washer-8 x 4.



Corner Thin Box Mounting

299.0 (L) x 163.5 (W) x 222.0 (D) mm (11.8 x 6.4 x 8.7 inches); Weight: 3.0 kg (6.6 lbs).

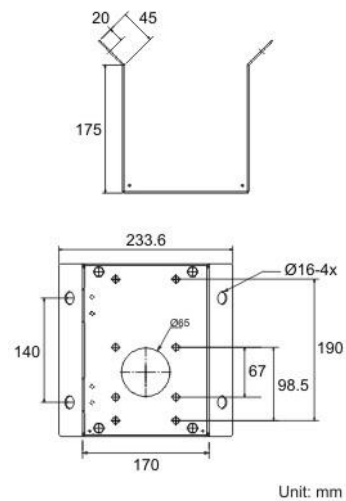
Supplied with M8x16 screw x 4, washer-8 x 4, and spring washer-8 x 4.



Corner Wide Box Mounting

232.0 (L) x 233.6 (W) x 175.0 (D) mm (9.1 x 9.2 x 6.9 inches); Weight: 2.7 kg (6.0 lbs).

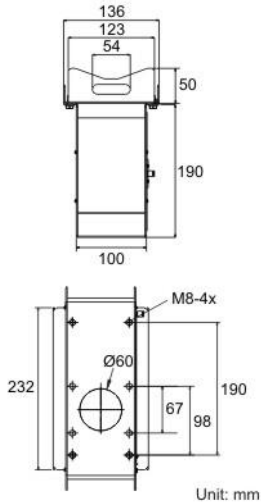
Supplied with M8x16 screw x 4, washer-8 x 4, and spring washer-8 x 4.



Pole Thin Box Mounting

291.0 (L) x 136.0 (W) x 240.0 (D) mm (11.5 x 5.4 x 9.4 inches); 3.1 kg (6.8 lbs).

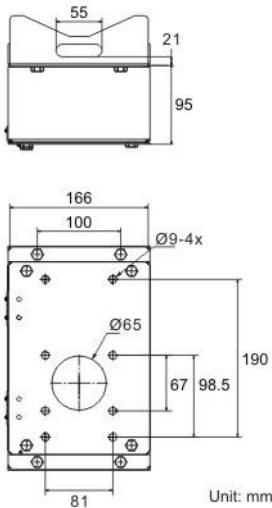
Supplied with M8x16 screw x 4, washer-8 x 4, spring washer x 4 and stainless steel straps x 4.



Pole Wide Box Mounting

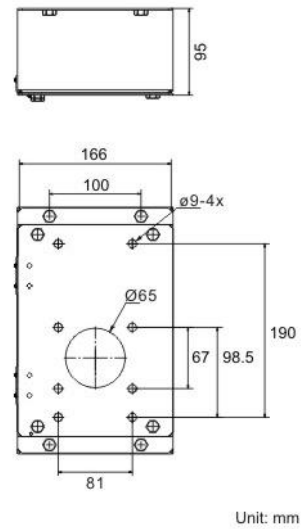
270.0 (L) x 166.0 (W) x 155.0 (D) mm (10.6 x 6.5 x 6.1 inches); 3.2 kg (7.1 lbs).

Supplied with M8x16 screw x 4, washer-8 x 4, spring washer-8 x 4 and stainless steel straps x 4.



Wall Box Mounting

270.0 (L) x 166.0 (W) x 95.0 (D) (10.6 x 6.5 x 3.7 inches); Weight: 2.2 kg (4.9 lbs).
 Supplied with M8x16 screw x 4, washer-8 x 4 and spring washer-8 x 4.



Stainless Steel Straps

For fixing Pole Direct Mounting / Pole Box on the pole.
 Length: 650.0 mm (25.6 inches); Width: 12.7 mm (0.5 inches); Weight: 50.0 g (0.1 lbs).



Stainless Strap Cutter

For tension, cut and crimp stainless steel straps.
 Weight: 1.4 kg (3.1 lbs).
 Suitable for straps width: 1/2", 5/8", 3/4"



2014-07-29 released
 Specifications are subject to change without notice.
 Copyright © DivioTec Inc. 2013
 All Rights Reserved